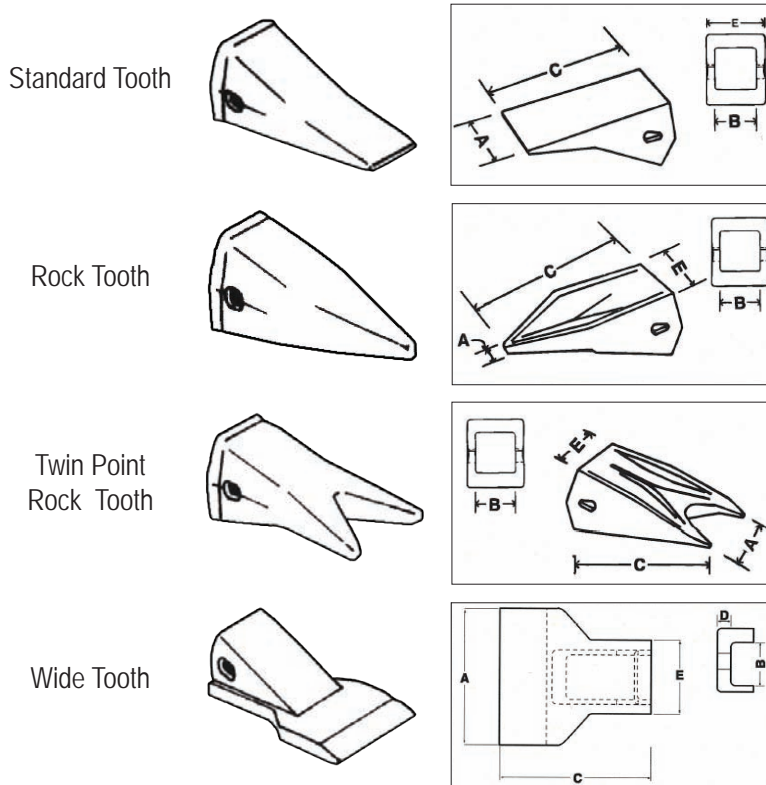


23 SERIES TEETH

23 Series Teeth are used on most EDGE skid steer loader and compact excavator buckets.

23 SERIES HEAVY-DUTY CAST TEETH



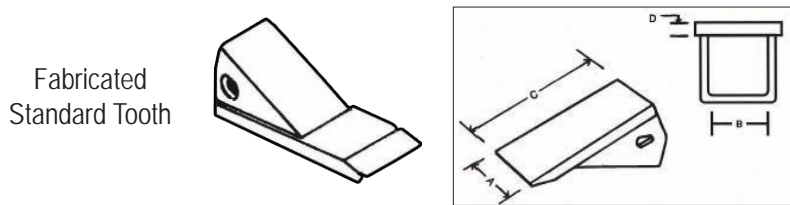
Part No.	A (in)	B (in)	C (in)	E (in)	Wt. (lb)
511920	2.00	1.51	4.95	2.12	1.46
* 511181	2.00	1.52	5.85	2.12	2.80

Part No.	A (in)	B (in)	C (in)	E (in)	Wt. (lb)
512343	1.25	1.52	6.67	2.12	3.12

Part No.	A (in)	B (in)	C (in)	E (in)	Wt. (lb)
512344	3.00	1.52	6.59	2.12	3.78

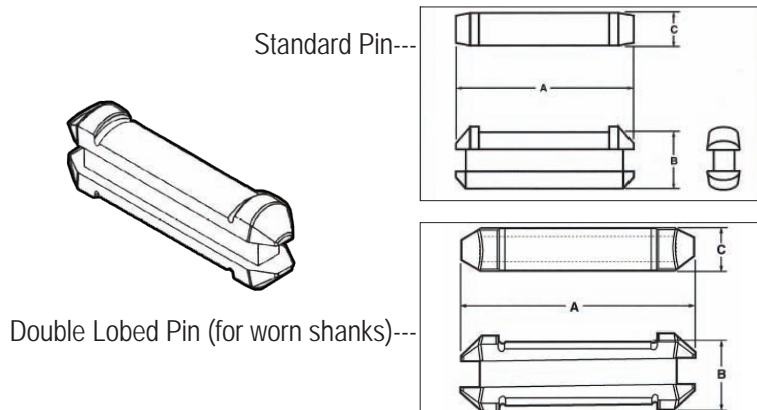
Part No.	A (in)	B (in)	C (in)	E (in)	Wt. (lb)
512335	4.75	1.52	5.25	2.50	4.20

23 SERIES FABRICATED PIN-ON TEETH



Part No.	A (in)	B (in)	C (in)	D (in)	Wt. (lb)
511047	2.25	1.52	5.12	.50	2.08

23 SERIES FLEX PINS



Part No.	A (in)	B (in)	C (in)
* 511182	2.13	.69	.39
513029	2.50	.69	.39
512984	2.26	.69	.41

Part No.	A (in)	B (in)	C (in)
512442	2.26	.69	.41

*Most Popular