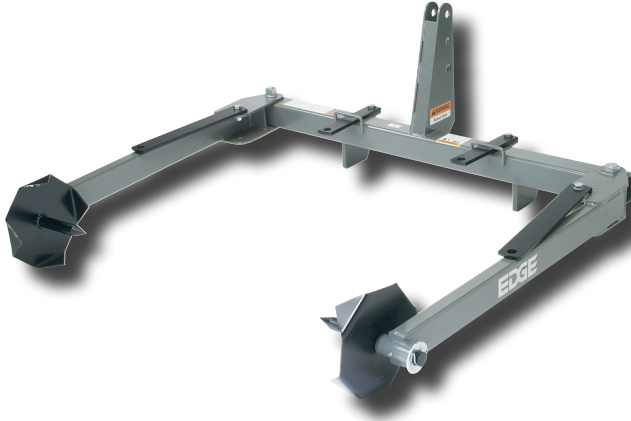


Bale Unrollers



Eliminates manure piles that accumulate when using feeders and relocate feeding areas with the bale unroller. Handles round bales up to 6' in diameter. Will handle square rolls up to 5'. Requires a 2.5" x 1/2" cylinder and hoses.

SPECIFICATIONS

Model	Weight (lbs/kg)	Cap. (lb/kg)
BU2000	310/140.6	2000/907