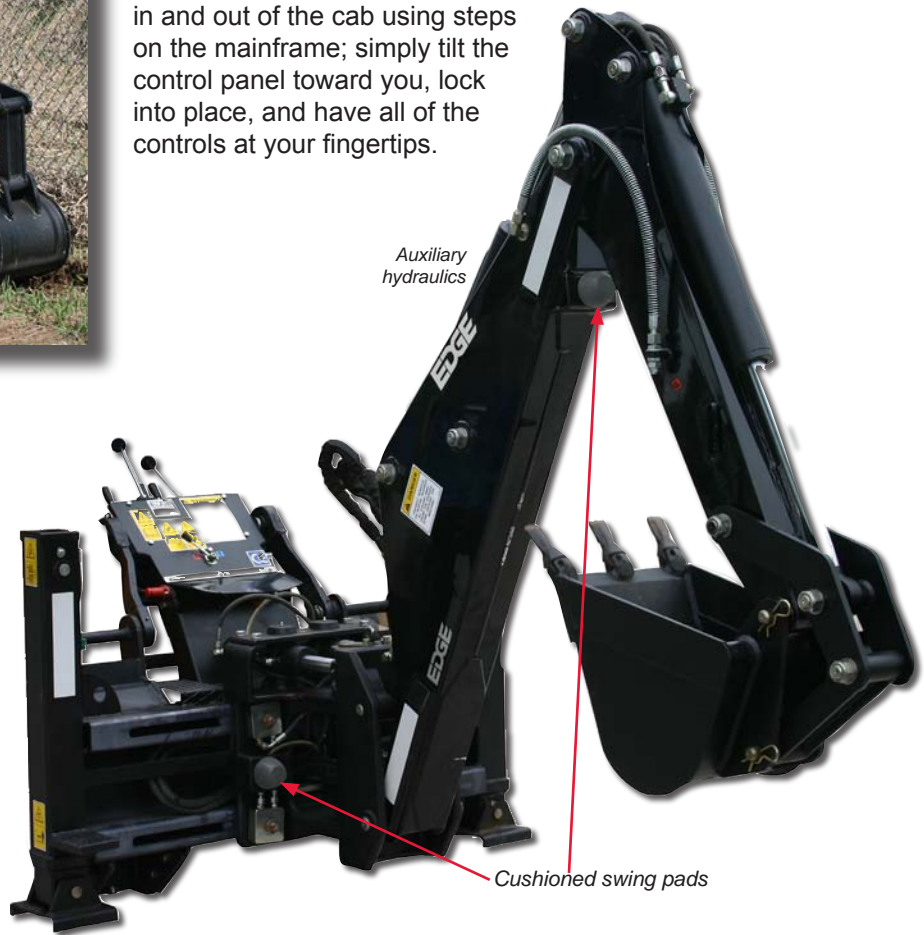
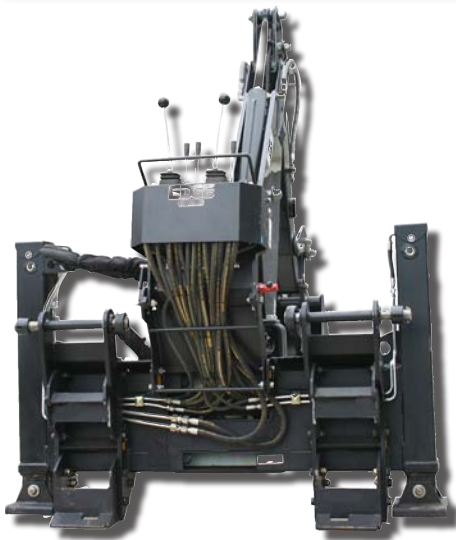


In-Cab Backhoe



Remain in the comfort and protection of the seat of the cab while operating backhoe AND skid steer controls with the EDGE In-Cab Backhoe. Control the stabilizers, boom, dipper and bucket, and also move the machine without ever leaving the cab - **increasing production and operator cycle times.**

Easy to assemble and easy to get in and out of the cab using steps on the mainframe; simply tilt the control panel toward you, lock into place, and have all of the controls at your fingertips.



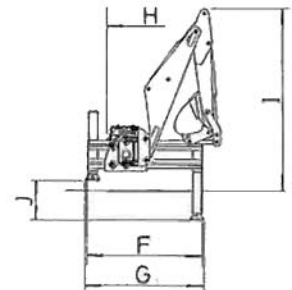
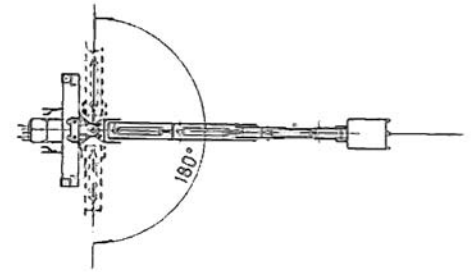
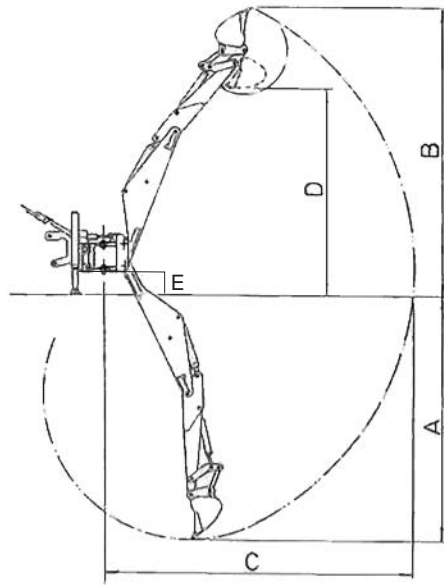
Features include a powerful 9'4" (2850 mm) digging depth, 10'11" (3340 mm) reach and 180 degree pivot rotation. Vertical stabilizers and 40" (1016 mm) side-shift allow you to operate next to buildings, fence lines or other obstacles. Cushioned swing pads at three points offer smooth stop at maximum swing and stick retract.

Four bucket sizes are available from 12" (300 mm) to 24" (600 mm) for any size trenching job. Comes standard with auxiliary hydraulics, hoses and flat face couplers.





Compact for transportation



Specifications (US/Metric):

BH091C

A. Digging Depth	112 in/2850 mm
B. Maximum Height	131 in/3340 mm
C. Horizontal Reach	131 in/3340 mm
D. Unloading Height	85 in/2170 mm
E. Ground Clearance	15 in/380 mm
F. Carriage Width	59 in/1499 mm
G. Overall Width	61.5 in/1562 mm
H. Side Shift	40 in/1016 mm
I. Boom Pivot Height	89 in/2250 mm
J. Stabilizer Down Max.	20 in/500 mm
Swing Arc	180°
Bucket Rotation	206°
Weight Without Bucket	1433 lb/650 kg
Swing, Booms and Bucket Controls	Two Hand Levers
Stabilizer Controls	Two Hand Levers
Auxiliary Hydraulic Controls	One Hand Lever
Hydraulic Circuit for Attachments	Yes
Valves protecting Hydraulic Circuit	Yes
Valves Protecting Auxiliary Hydraulic Circuit	Yes
Pressure Measuring Valves	Yes



Buckets:

Bucket Size (in/mm)	Weight (lb/kg)	Number of Teeth
12/300	120/54	3
16/400	160/73	3
20/500	200/91	4
24/600	240/109	4

